

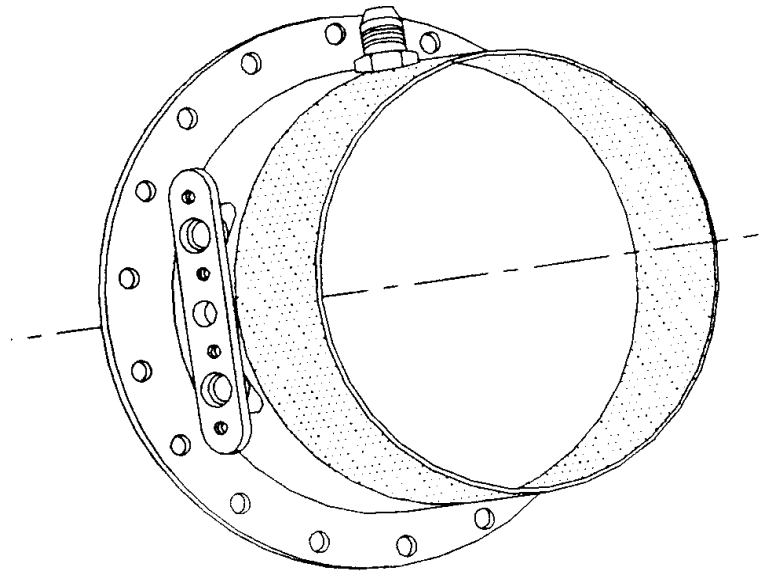


Product Repair Bulletin

P/N 976160

Exhaust Flange Assembly

A:GTCP85 Series APU



OEM Manual Repairs

Repairs for OEM Manual 49-21-73:

- Weld/dress cracks.
- Procure/Install AN8515-8S Union.
- Procure/Install 976703-1 Scupper.
- Procure/install 968804-1 Boss.
- Procure/install MS21074-4W Nutplate (2).

Additional FAA Approved Repairs

Repairs for Britt Metal Major Repair 9004271:

- Fabricate/install -31 Flange.
- Fabricate/install -30 Tube (-2 configuration only).
- Fabricate/install -32 Tube (-3 configuration only).
- Fabricate/install -29 Boss.

P/N 976160
Issue 01/99
Section 1



Product Repair Bulletin

P/N 976160

Exhaust Flange Assembly

