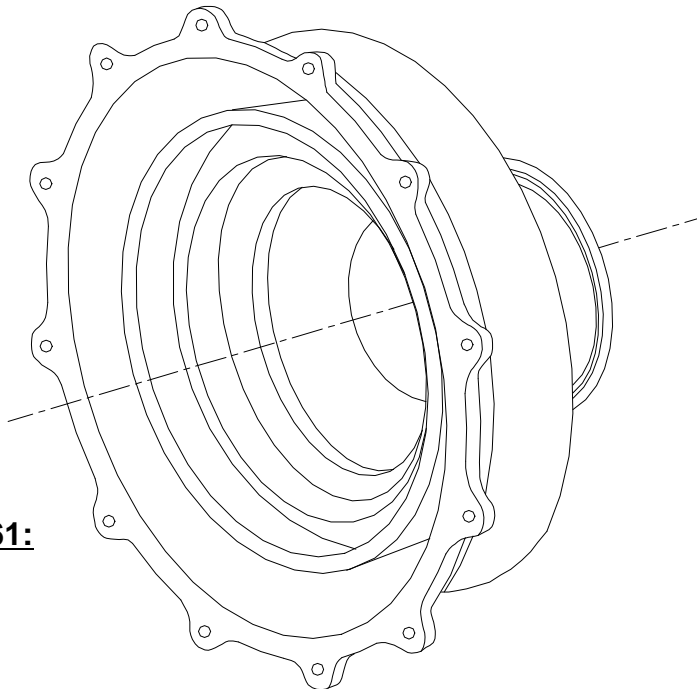


## Product Repair Bulletin

P/N 775480

### Compressor Housing

NHA: 774469 Air Bearing Air Cycle Machine  
Boeing 747-400, 767, L1011



### OEM Manual Repairs

#### Repairs for OEM Manual 21-51-61:

Clean & Pressure Test  
Repairs -None

### Additional FAA Approved Major Repairs

#### Repairs for Britt Metal Major Repair 0502151:

Weld Repair Diameter H.	Machine Diameter H.
Metallize Diameter G.	Machine Diameter G.
Metallize Contour Surface.	Machine Contour Surface.
Metallize Surface F.	Machine Surface F.
Metallize Diameter Q.	Machine Diameter Q.
Metallize Surface A.	Machine Surface A.
Metallize Surface B.	Machine Surface B.

## Product Repair Bulletin

### Compressor Housing

