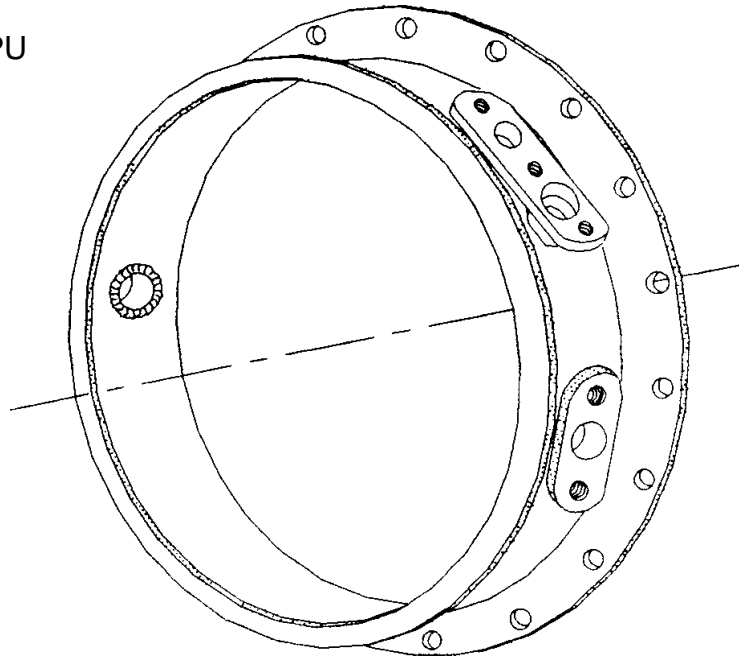


Product Repair Bulletin

P/N 698170

Exhaust Duct Flange Assembly

NHA: GTCP85 Series APU



OEM Manual Repairs

Repairs for OEM Manual 49-21-73:

Weld/dress cracks.

Procure/Install MS21074-4 nutplate.

Additional FAA Approved Repairs

Repairs for Britt Metal Major Repair 9004022:

Fabricate/Install -26 Ring.

Fabricate/Install -31 Boss Assembly.

Fabricate/Install -17 Flange. (two hole configuration)

Fabricate/Install -173 Flange. (three hole configuration)

Fabricate/Install -29 Boss Assembly.

Product Repair Bulletin

P/N 698170

Exhaust Duct Flange Assembly

