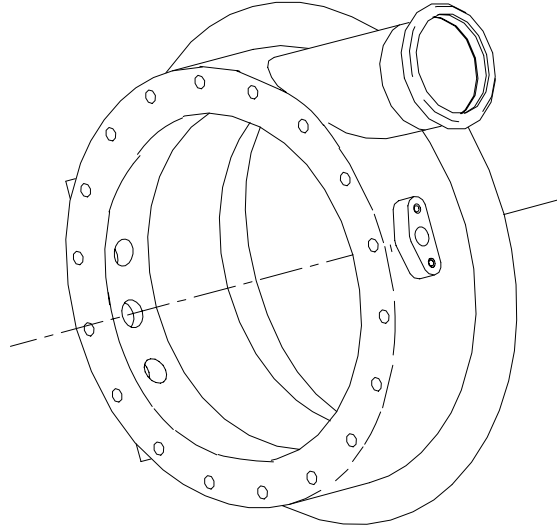


Product Repair Bulletin

P/N 695140

Exhaust Duct Flange Assembly

NHA: GTCP85 Series APU



OEM Manual Repairs

Repairs for OEM Manual 49-21-73:

Weld/dress cracks.

Cold straighten to restore dimensions.

Procure/install marmon flange.

Additional FAA Approved Repairs

Repairs for Britt Metal Major Repair 9004231: *

Fabricate/install -17/-19 Exhaust Duct Flange.

Converts 695140-50/-80 to -100/-110 per SB 49-5816.

Fabricate/install -27 Boss.

Fabricate/install -16/-29 Oil Tube.

Fabricate/install -10/-12 Boss Plate Assembly.

Fabricate/install 976703-1 Scupper.

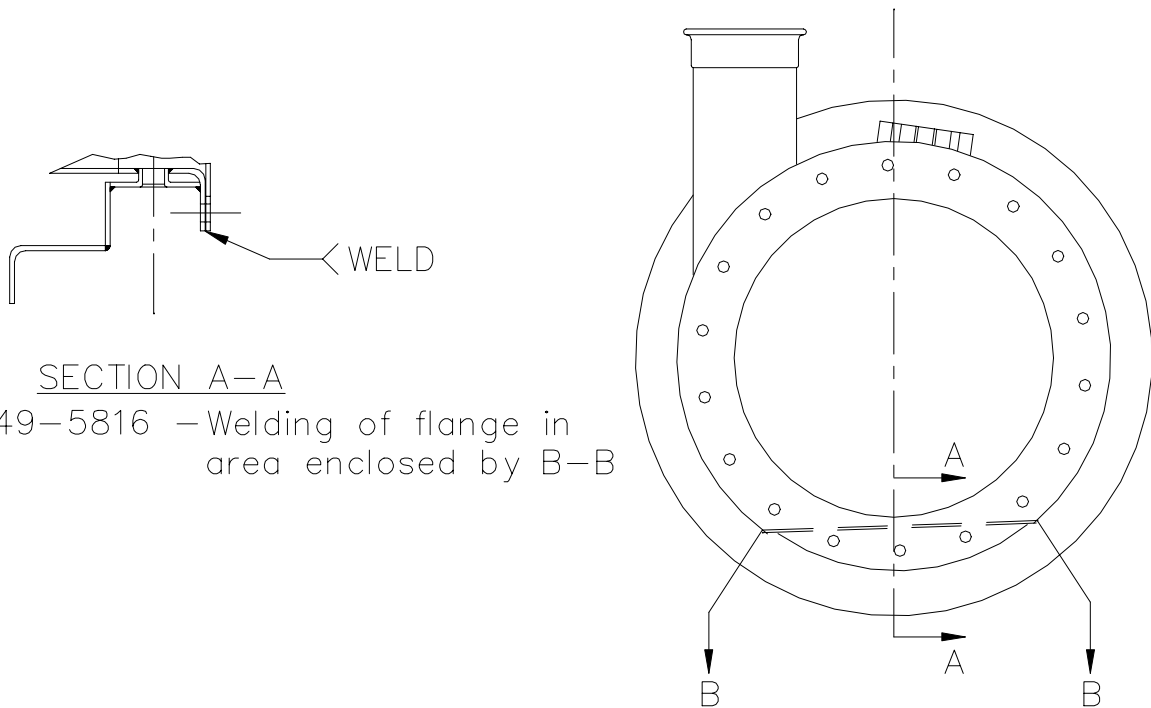
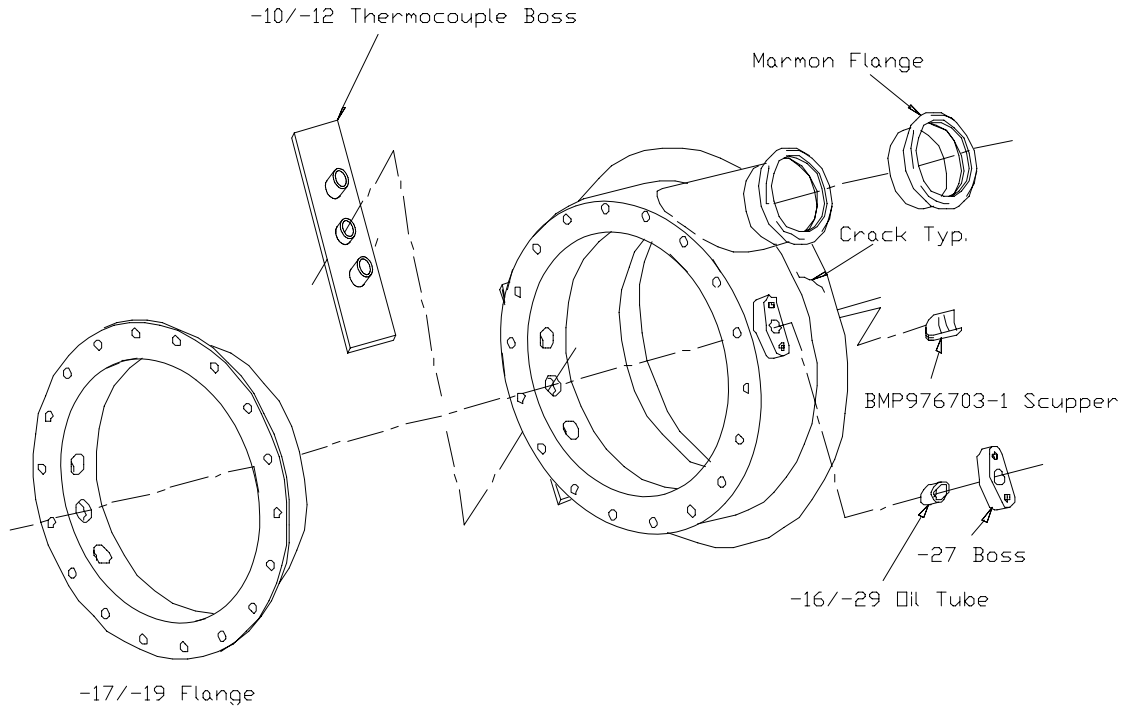
Converts 695140-50/-80/-100 to -110 per SB 49-5658..

* P/N 695140-1 modified to -100MOD/-110MOD per 9004231 at request.

Product Repair Bulletin

P/N 695140

Exhaust Duct Flange Assembly



SECTION A-A
 S/B 49-5816 - Welding of flange in
 area enclosed by B-B

