

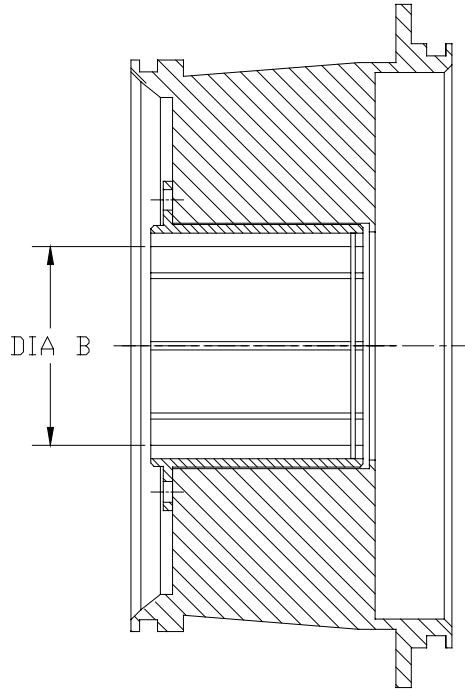


## Product Repair Bulletin

P/N 681664-6/-8/-10

### Bearing Support

NHA: Air Cycle Machine 204905



### OEM Manual Repairs

#### Repairs for OEM Manual 21-53-26:

Replace Pins/Inserts.

Machine Dia. B to -10 configuration.

Anodize.

Finish Machine.

Install new bearing support.

Machine Dia. B to appropriate size.

Anodize.

Finish Machine.



## Product Repair Bulletin

P/N 681664-6/-8/-10

Bearing Support

