

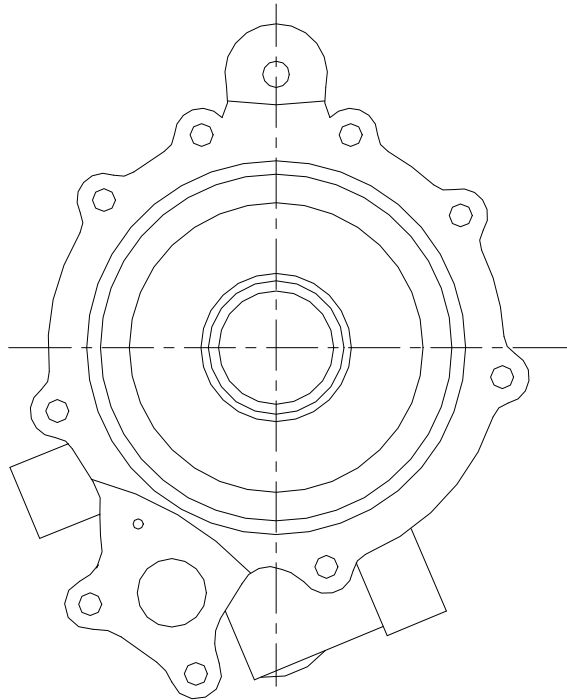


## Product Repair Bulletin

P/N 570033/412337/622528

### Valve Block

NHA: Hydraulic Pump  
P/N 350880



### OEM Manual Repairs

#### Repairs for OEM Manual 29-11-04:

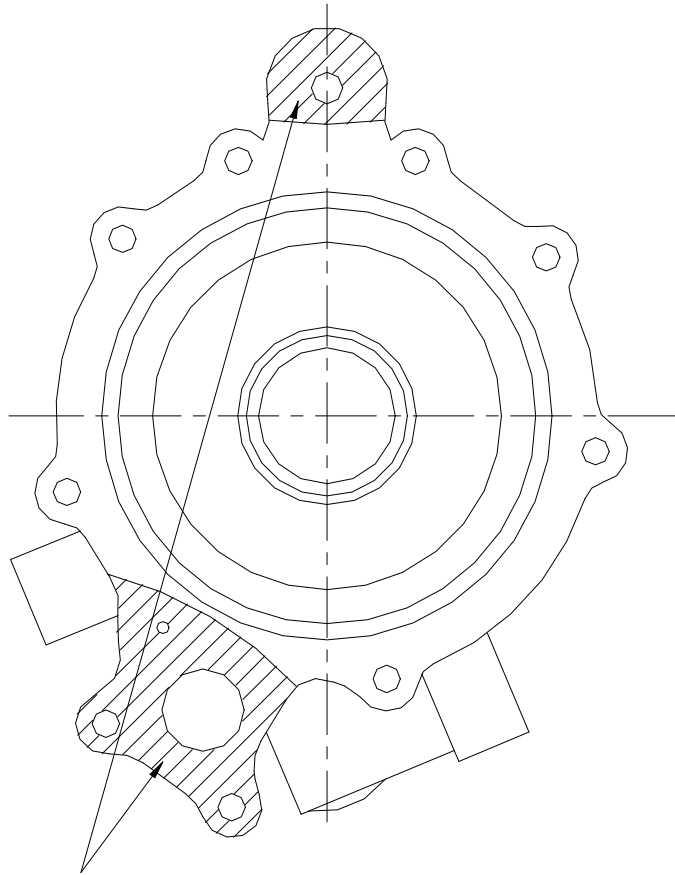
Metal Spray Sealing Surfaces.

Finish Machine.



## Product Repair Bulletin

P/N 570033/412337/622528  
Valve Block



SEALING AREAS