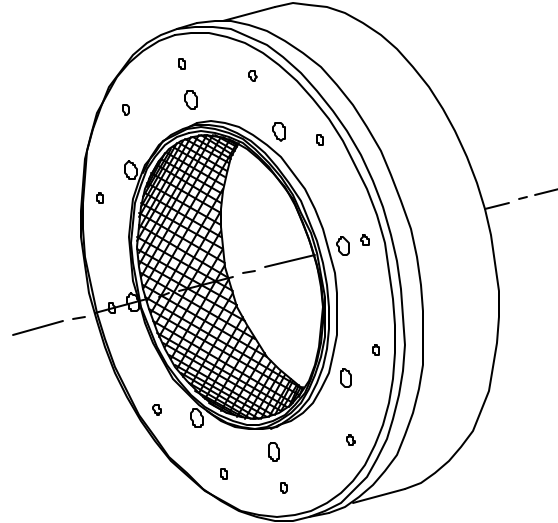


Product Repair Bulletin

P/N 3844050 / 3844002

Labyrinth Seal

NHA: GTCP331 Series APU



OEM Manual Repairs

Repairs for OEM Manual 49-29-49:

- Metallize Surface A.
- Metallize Diameter B.
- Metallize Diameter H.
- Machine Surface A.
- Machine Diameter B.
- Machine Diameter H.
- Replace Felt Metal / Honeycomb Seal.

Repairs for Service Bulletins:

- Replace Felt Metal / Honeycomb Seal with P/N 3615081-1 per S/B 49-5883.
Converts 3844050-1 to 3844050-2 or 3844002-1 to 3844002-2.

Product Repair Bulletin

P/N 3844050 / 3844002

Labyrinth Seal

