

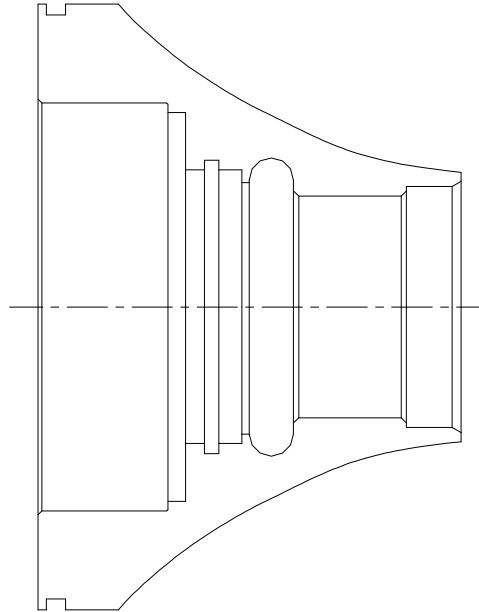


Product Repair Bulletin

P/N 3810187

Bearing Inlet Housing Assembly

NHA: GTCP 331-200/-250



OEM Manual Repairs

Repairs for OEM Manual 49-23-49:

Replace Loose or Damaged Inserts.

Replace Bearing Liner.

Metal Spray Diameter M.

Metal Spray Diameter B.

Weld Cracks on Diameter N.

Weld Cracks on Surface A/Diameter F.

Metal Spray Diameter F.

Finish Machine.

Finish Machine.

Finish Machine.

Finish Machine.

Finish Machine.

Finish Machine.

Additional FAA Approved Major Repairs

Repairs Under Development:

Manufacture/Replace Bearing Liner.

Finish Machine.



Product Repair Bulletin

P/N 3810187

Bearing Inlet Housing Assembly

