

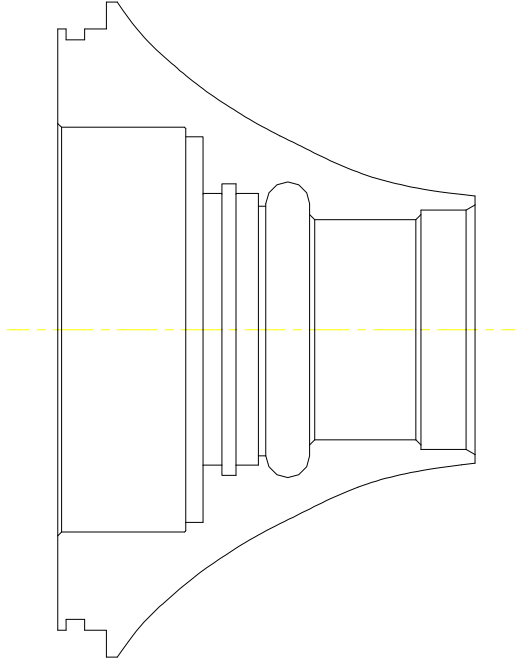


## Product Repair Bulletin

P/N 3810127

### Bearing Inlet Housing Assembly

NHA: GTCP 331-200/-250



### OEM Manual Repairs

#### Repairs for OEM Manual 49-23-49:

Replace Loose or Damaged Inserts.  
Replace Bearing Liner.  
Metal Spray Diameter L.  
Metal Spray Diameter B.  
Weld Cracks on Surface M.  
Weld Diameter AV/Dimension AR.

Finish Machine.  
Finish Machine.  
Finish Machine.  
Finish Machine.  
Finish Machine.

### Additional FAA Approved Major Repairs

#### Repairs Under Development:

Manufacture/Replace Bearing Liner.

Finish Machine.



## Product Repair Bulletin

P/N 3810127

Bearing Inlet Housing Assembly

