

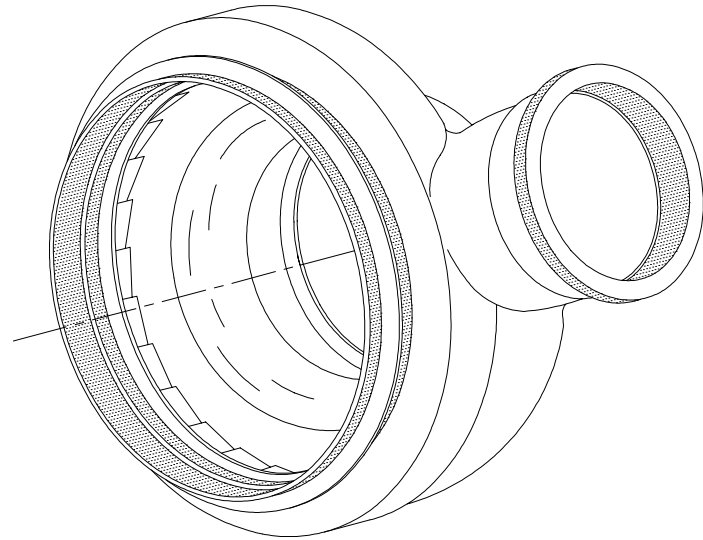


## Product Repair Bulletin

P/N 3500542/353128/359156

### Starter Scroll Assembly

NHA: ATS100 Series Starter



### OEM Manual Repairs

#### Repairs for OEM Manual 80-10-33/80-10-35:

- Weld vanes.
- Dress vanes.
- Metallize contour.
- Machine contour.
- Procure/install inlet flange.
- Procure/install outlet flange.
- Procure/install gear case flange.

### Additional FAA Approved Repairs

#### Repairs for Britt Metal Major Repair 9107248:

- Metallize diameter A.
- Metallize diameter B.
- Machine diameter A.
- Machine diameter B.
- Fabricate/install -39 mounting flange.
- Fabricate/install -21 inlet flange.
- Braze cracked joint(s).
- Patch repair scroll.



# Product Repair Bulletin

P/N 3500542/353128/359156

Starter Scroll Assembly

